



## **Package Information**

***Version 0.09 – Jun. 30, 2020***

Copyright © 2020 by PADAUK Technology Co., Ltd., all rights reserved

6F-6, No.1, Sec. 3, Gongdao 5th Rd., Hsinchu City 30069, Taiwan, R.O.C.

TEL: 886-3-572-8688  [www.padauk.com.tw](http://www.padauk.com.tw)

## Table of Contents

<b>1. Package Marking Information .....</b>	<b>4</b>
1.1. MSOP/SOP/SSOP/DIP/HTSOP/SOT23/TSSOP Package Marking Information .....	4
1.2. QFN / DFN Package Marking Information .....	5
<b>2. Package outline drawing (POD): .....</b>	<b>6</b>
2.1. DIP8(300mil).....	6
2.2. DIP14(300mil).....	7
2.3. DIP16(300mil).....	8
2.4. DIP20(300mil).....	9
2.5. DIP24(300mil).....	10
2.6. DIP28(300mil).....	11
2.7. SOT23-3 .....	12
2.8. SOT23-6 .....	13
2.9. MSOP10(118mil).....	14
2.10. SOP8(Pitch:1.27mm,Width:150mil) .....	15
2.11. SOP14(Pitch:1.27mm,Width:150mil) .....	16
2.12. SOP16(Pitch:1.27mm,Width:150mil) .....	17
2.13. SOP18(Pitch:1.27mm ,Width:300mil) .....	18
2.14. SOP20(Pitch:1.27mm,Width:300mil) .....	19
2.15. SOP24(Pitch:1.27mm,Width:300mil) .....	20
2.16. SOP28(Pitch:1.27mm,Width:300mil) .....	21
2.17. SSOP16(Pitch:0.635mm,Width:150mil) .....	22
2.18. SSOP20(Pitch:0.635mm,Width:150mil) .....	23
2.19. SSOP24(Pitch:0.635mm,Width:150mil) .....	24
2.20. QFN3*3-16(Pitch:0.50mm,Width:3x3mm,Thickness:0.75mm) .....	25
2.21. QFN4*4-16(Pitch:0.65mm,Width:4x4mm,Thickness:0.75mm) .....	26
2.22. QFN4*4-24(Pitch:0.5mm,Width:4x4mm,Thickness:0.75mm) .....	27
2.23. DFN2*2-6(Pitch:0.65mm,Width:2x2mm,Thickness:0.75mm) .....	28
2.24. DFN2*2-8(Pitch:0.50mm, Width:2x2mm,Thickness:0.75mm) .....	29
2.25. DFN3*3-10(Pitch:0.50mm, Width:3x3mm,Thickness:0.75mm) .....	30
2.26. ESSOP10(Pitch:1mm,Width:150mil).....	31
2.27. HTSOP20(Pitch:1mm,Width:150mil) .....	32

# Package Information

## Revision History:

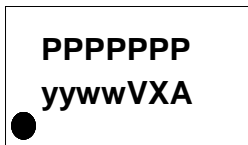
Revision	Date	Description
0.01	2014/05/20	1st version
0.02	2016/08/02	<ol style="list-style-type: none"> <li>1. Add front cover, page header and revise page footer.</li> <li>2. Add revision history.</li> <li>3. Add description“(0.635mm)”of package type for Y: SSOP on page 3 and drawings.</li> <li>4. Add page 4: QFN/DFN package marking information.</li> <li>5. Add “note” on page 5.</li> <li>6. Add 3 package outline drawings: QFN4*4-16, QFN3*3-16 and DFN3*3-10 on page 12~14.</li> </ol>
0.03	2016/08/04	Revise description of bonding information for PMS132-1J16A example on page 4.
0.04	2017/11/03	<ol style="list-style-type: none"> <li>1. Add package type of M: MSOP on page 3.</li> <li>2. Add package type of H: HTSOP on page 3 and package outline drawing on page8.</li> </ol>
0.05	2018/11/01	<ol style="list-style-type: none"> <li>1. Add package outline drawing of SOT23-6 on page 6.</li> <li>2. Add package outline drawing of SOP8 on page 7.</li> </ol>
0.06	2019/03/27	<ol style="list-style-type: none"> <li>1. Add Table of contents and revise all pages</li> <li>2. Add package outline drawing of DFN2*2-8 on page 26.</li> <li>3. Add package outline drawing of ESSOP10 on page 27</li> </ol>
0.07	2019/06/13	<ol style="list-style-type: none"> <li>1. Revise all pages</li> </ol>
0.08	2020/04/10	<ol style="list-style-type: none"> <li>1. Revise 2.23 DFN2*2-8 “D2&amp;E2”.</li> </ol>
0.09	2020/06/30	<ol style="list-style-type: none"> <li>1. Add 2.22 QFN4*4-24.</li> <li>2. Amend Section 2.24 DFN2*2-8 :L,E2,D2</li> </ol>

# Package Information

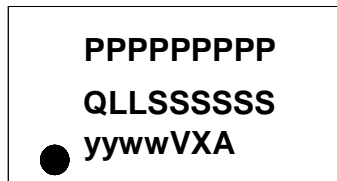
## 1. Package Marking Information

### 1.1. MSOP/SOP/SSOP/DIP/HTSOP/SOT23/TSSOP Package Marking Information

#### MSOP10 (118mil)

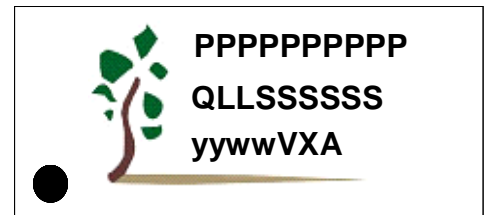


#### SSOP16 (150mil)



#### SOP/ SSOP20 (150mil)

#### SOP/ DIP (300mil)



Standard Legend										
<b>PPP.....P</b>	PADAUK's part name (Ex:PMC251)									
<b>Q</b>	Package type									
	S:	D:	K:	L:	T:	Y:	U:	M:	H:	E:
	SOP	DIP	Skinny DIP	LQFP	TSSOP	SSOP	SOT23	MSOP	HTSOP	Exposed Pad
<b>LL</b>	Pin Count									
	Ex:	SSOP16→Y16			SOP20→S20			SOT23-6→U06		
<b>SS.....S</b>	Lot number information									
	EX : TG42199H1→421991					EX : TG52688→526880				
	EX : TGD8231→8231A0					EX : TGD3579-R1→3579A1				
	A: Project									
<b>V</b>	Vender code									
<b>X</b>	Product code									

# Package Information

## 1.2. QFN / DFN Package Marking Information

### QFN



### DFN



Standard Legend	
<b>PPP....P</b>	PADAUK's part name
<b>QQ</b>	Package type (QFN → J ; DFN → N)
<b>LL</b>	Pin Count
<b>B</b>	Bonding information (Ex:PMS132-4N10 → PADAUK single type DFN3*3-10 package. PMS132-1J16A → PADAUK Type A QFN3*3-16 package.)
<b>yy</b>	Year code (last 2 digits of calendar year)
<b>ww</b>	Week code
<b>V</b>	Vender code
<b>X</b>	Product code
<b>A</b>	Wafer information

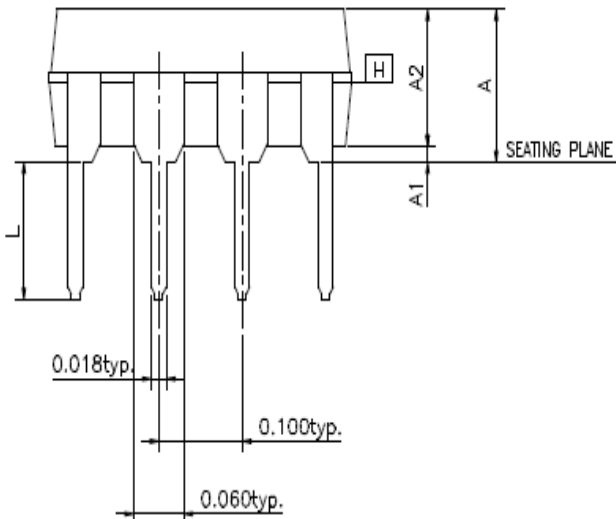
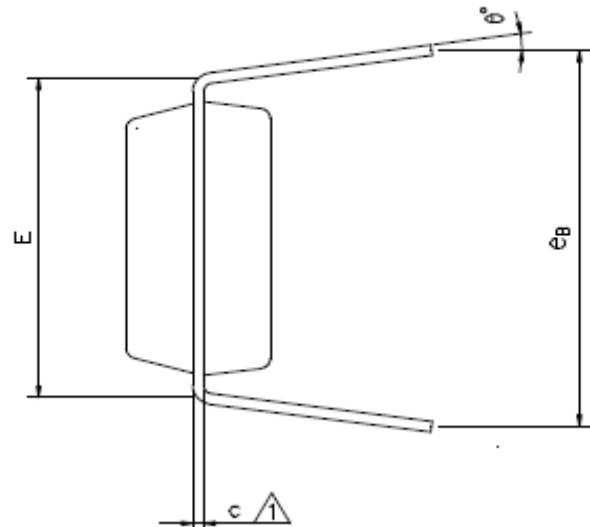
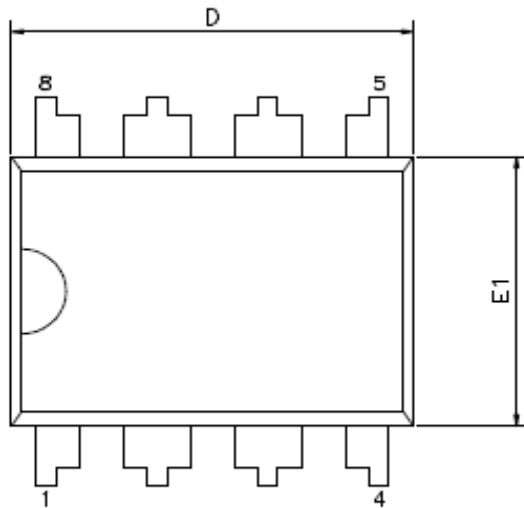
Package size	Number	Package size	Number
QFN 3*3mm	1J	DFN 1.6*1.6mm	1N
QFN 4*4mm	2J	DFN 2*2mm	2N
QFN 5*5mm	3J	DFN 2.4*2.4mm	3N
QFN 6*6mm	4J	DFN 3*3 mm	4N
		DFN 3.5*3.5mm	5N

# Package Information

## 2. Package outline drawing (POD):

The following drawings and dimensions are for reference only

### 2.1. DIP8(300mil)

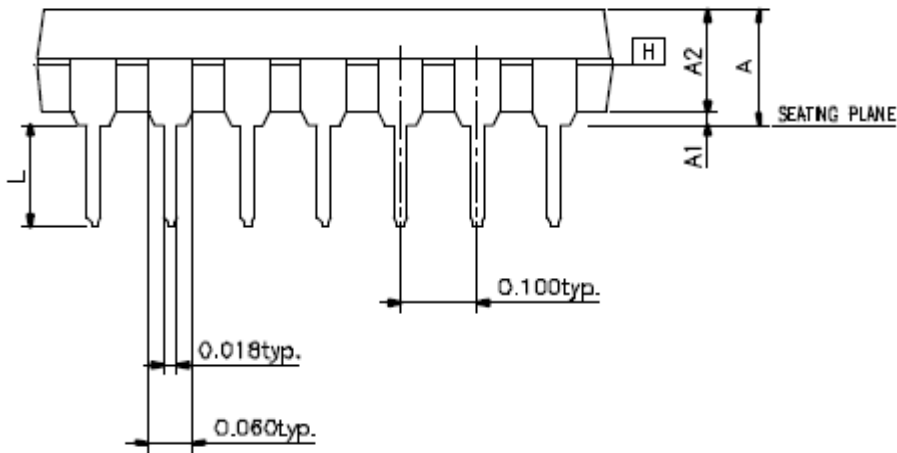
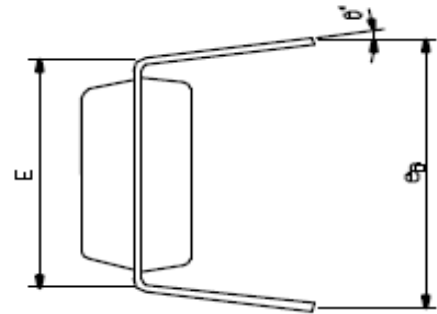
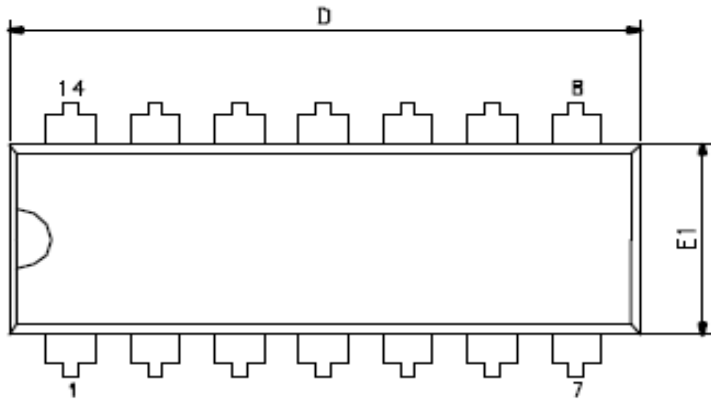


SYMBOLS	INCH		
	MIN	TYP	MAX
A	-	-	0.210
A1	0.015	-	-
A2	0.125	0.130	0.135
c	0.008	0.010	0.014
D	0.355	0.365	0.400
E	0.300 BSC		
E1	0.245	0.250	0.255
L	0.115	0.130	0.150
eB	0.335	0.355	0.375
$\theta^\circ$	0	7	15

# Package Information

## 2.2. DIP14(300mil)

<b>Lead of DIP 14</b>	<b>300 mil</b>
-----------------------	----------------

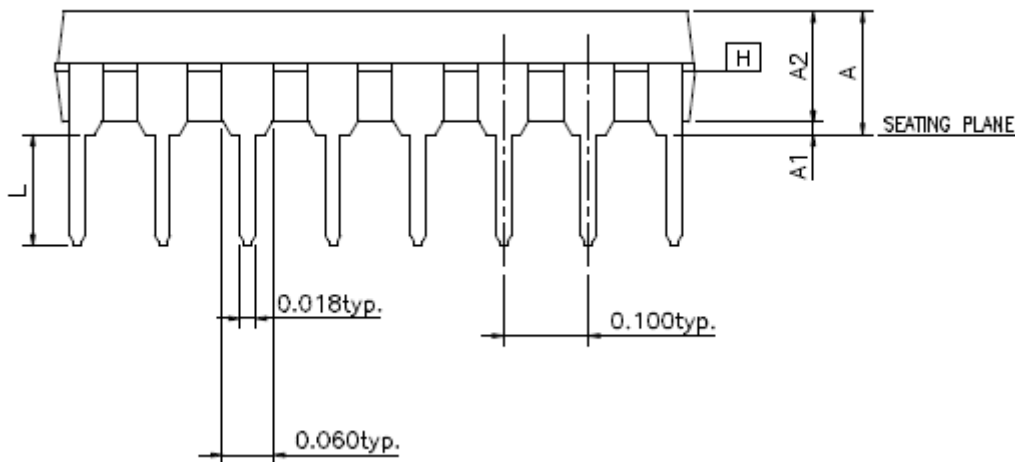
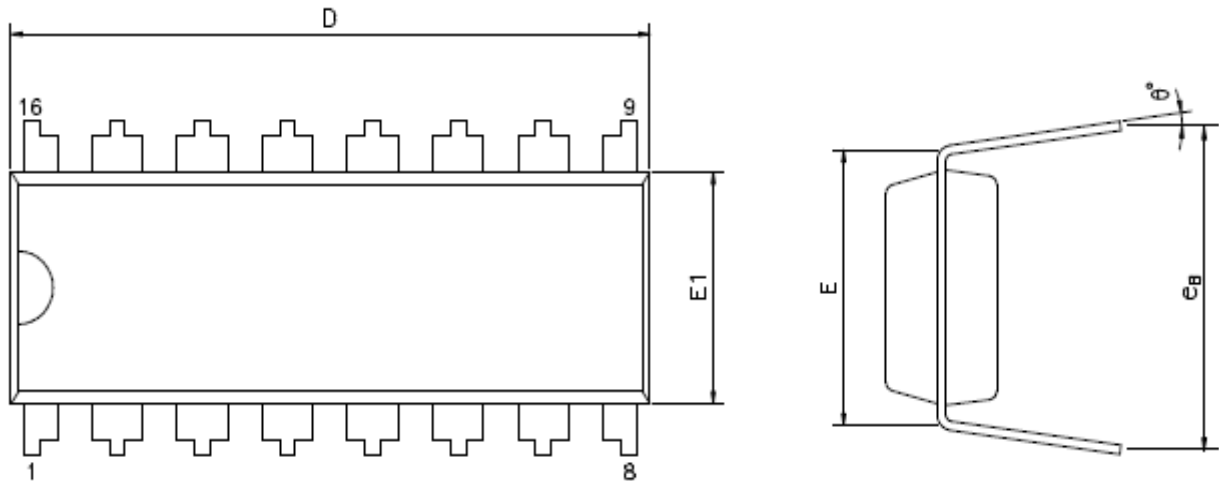


SYMBOLS	INCH		
	MIN	TYP	MAX
A	-	-	0.21
A1	0.015	-	-
A2	0.125	0.130	0.135
D	0.735	0.750	0.775
E	0.300 BSC		
E1	0.245	0.250	0.255
L	0.115	0.130	0.150
e B	0.335	0.355	0.375
$\theta$ °	0	7	15

# Package Information

## 2.3. DIP16(300mil)

<b>Lead of DIP 16</b>	<b>300 mil</b>
-----------------------	----------------



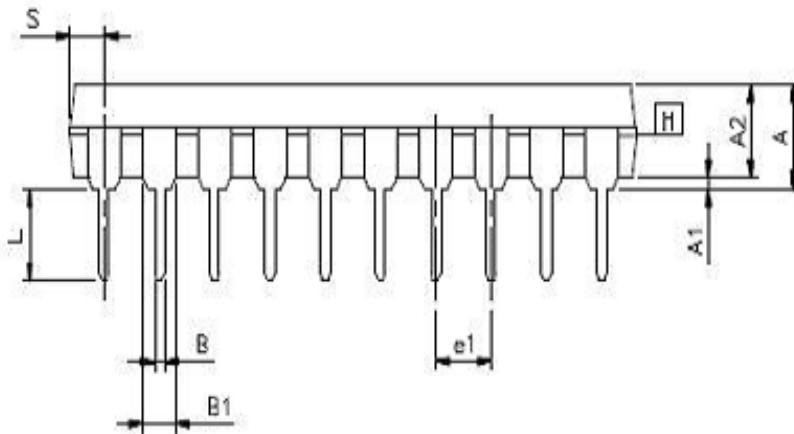
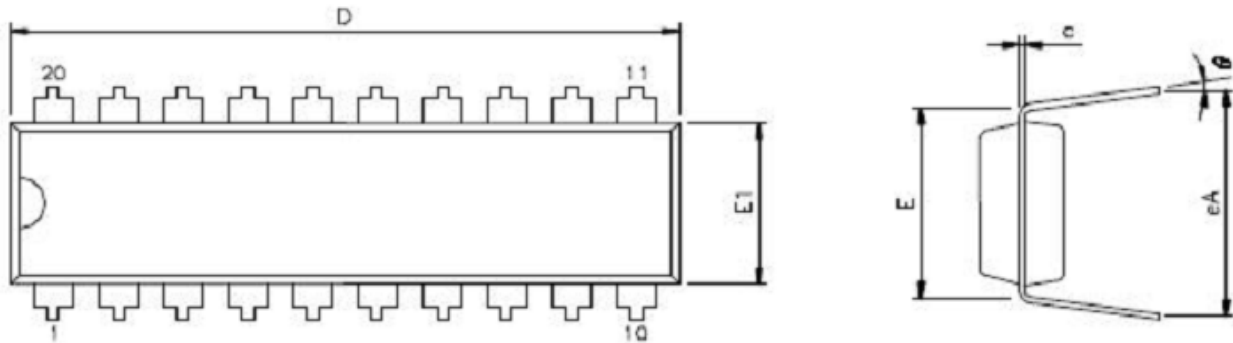
SYMBOLS	INCH		
	MIN	TYP	MAX
A	-	-	0.172
A1	0.015	-	0.038
A2	0.125	0.130	0.135
D	0.735	0.755	0.775
E	0.300 BSC		
E1	0.245	0.250	0.255
L	0.115	0.130	0.150
eB	0.335	0.355	0.375
$\theta^\circ$	0	7	15



# Package Information

## 2.4. DIP20(300mil)

<b>Lead of DIP 20</b>	<b>300 mil</b>
-----------------------	----------------

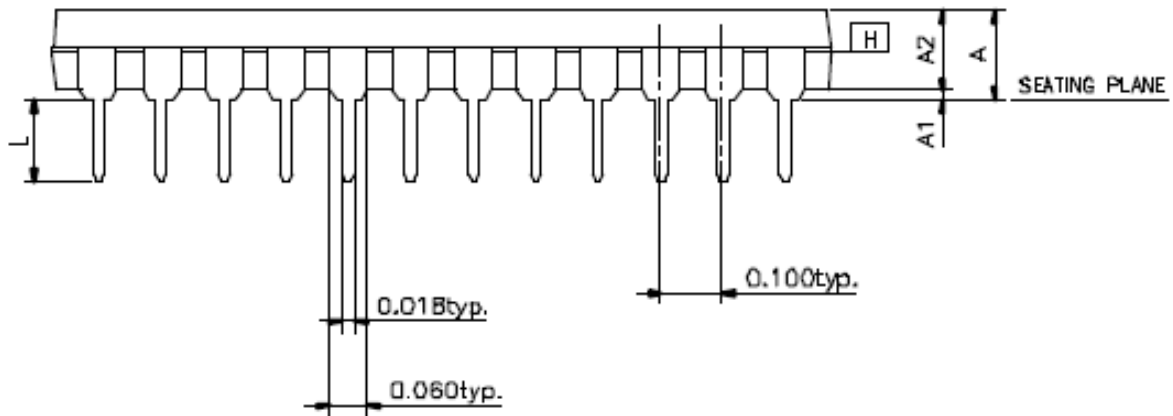
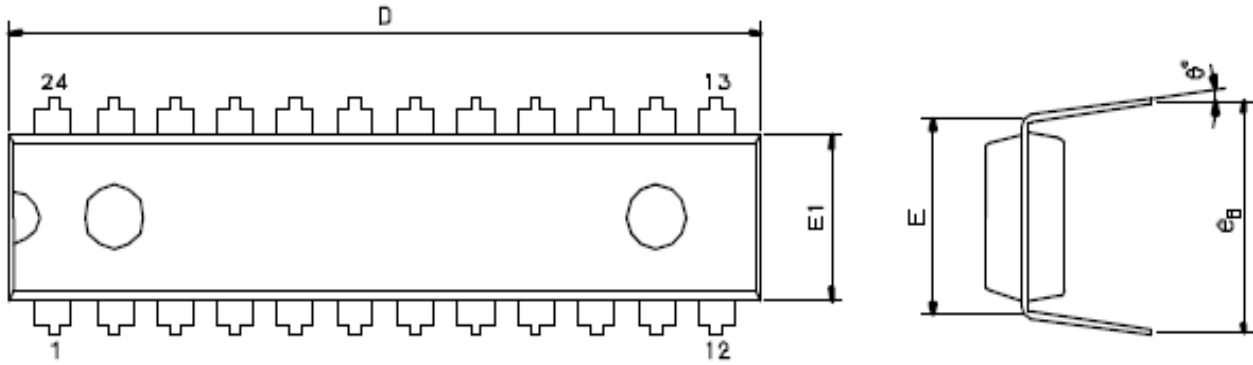


SYMBOLS	INCH		
	MIN	TYP	MAX
A	-	-	0.175
A1	0.015	-	-
A2	0.125	0.130	0.135
B	0.016	0.018	0.020
B1	0.058	0.060	0.064
c	0.008	0.010	0.011
D	1.002	1.026	1.040
E	0.290	0.300	0.310
E1	0.245	0.250	0.255
e1	0.090	0.100	0.110
L	0.120	0.130	0.140
$\theta^\circ$	0	-	15
eA	0.335	0.355	0.375
eC	0.000	-	0.06
S	-	-	0.075

# Package Information

## 2.5. DIP24(300mil)

<b>Lead of Skinny DIP24</b>	<b>300 mil</b>
-----------------------------	----------------

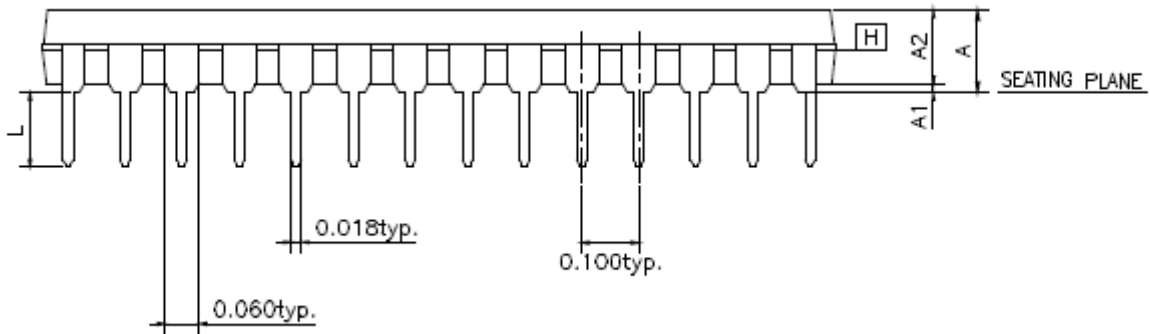
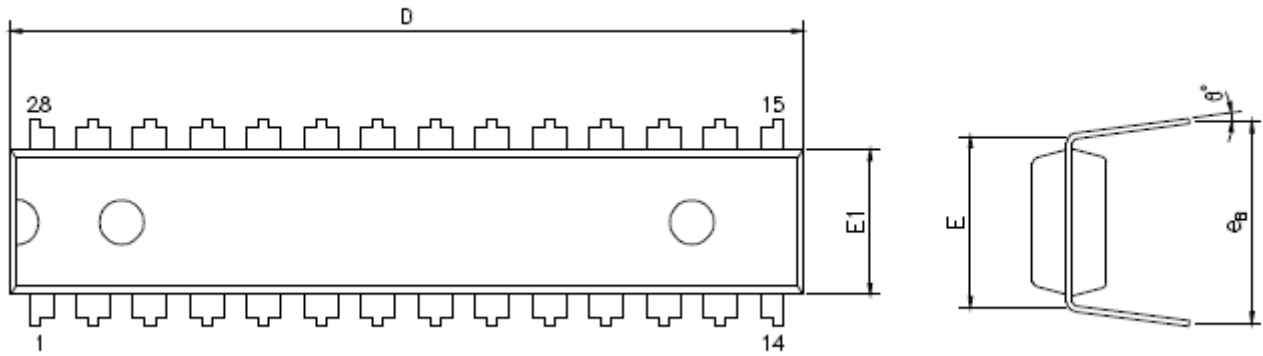


SYMBOLS	INCH		
	MIN	TYP	MAX
A	-	-	0.210
A1	0.015	-	-
A2	0.125	0.130	0.135
D	1.230	1.250	1.280
E	0.300 BSC		
E1	0.253	0.258	0.263
L	0.115	0.130	0.150
e B	0.335	0.355	0.375
$\theta^\circ$	0	7	15

# Package Information

## 2.6. DIP28(300mil)

<b>Lead of Skinny DIP28</b>	<b>300 mil</b>
-----------------------------	----------------

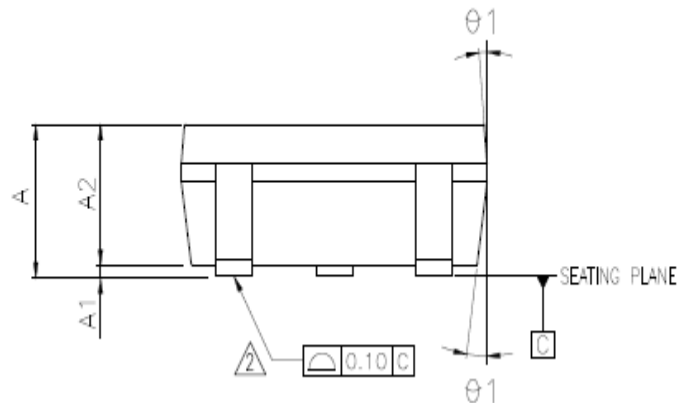
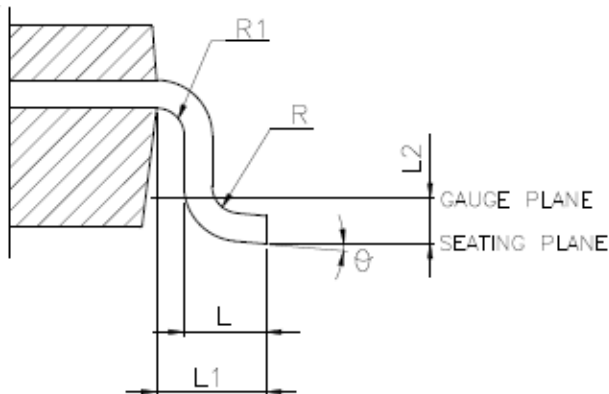
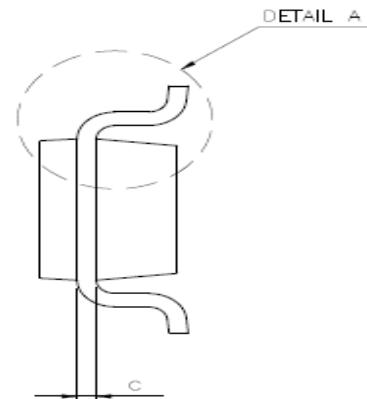
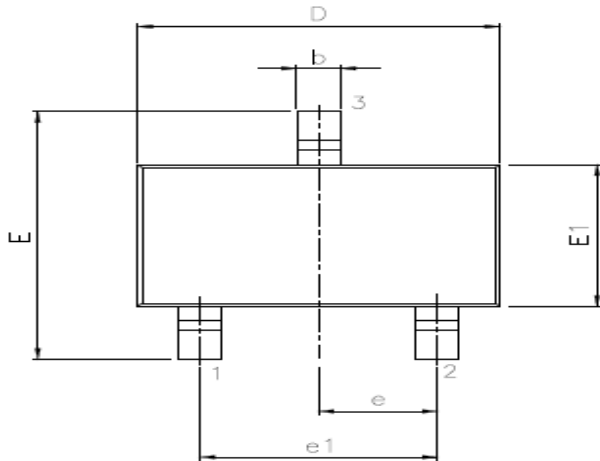


SYMBOLS	INCH		
	MIN	TYP	MAX
A	-	-	0.175
A1	0.015	-	-
A2	0.125	0.130	0.135
D	1.385	1.390	1.400
E	0.310 BSC		
E1	0.283	0.288	0.293
L	0.120	0.130	0.140
eB	0.330	0.350	0.370
$\theta^\circ$	0	7	15

# Package Information

## 2.7. SOT23-3

<b>Lead of SOT23-3</b>	<b>Pitch=0.95mm Body width=1.6 mm</b>
------------------------	---

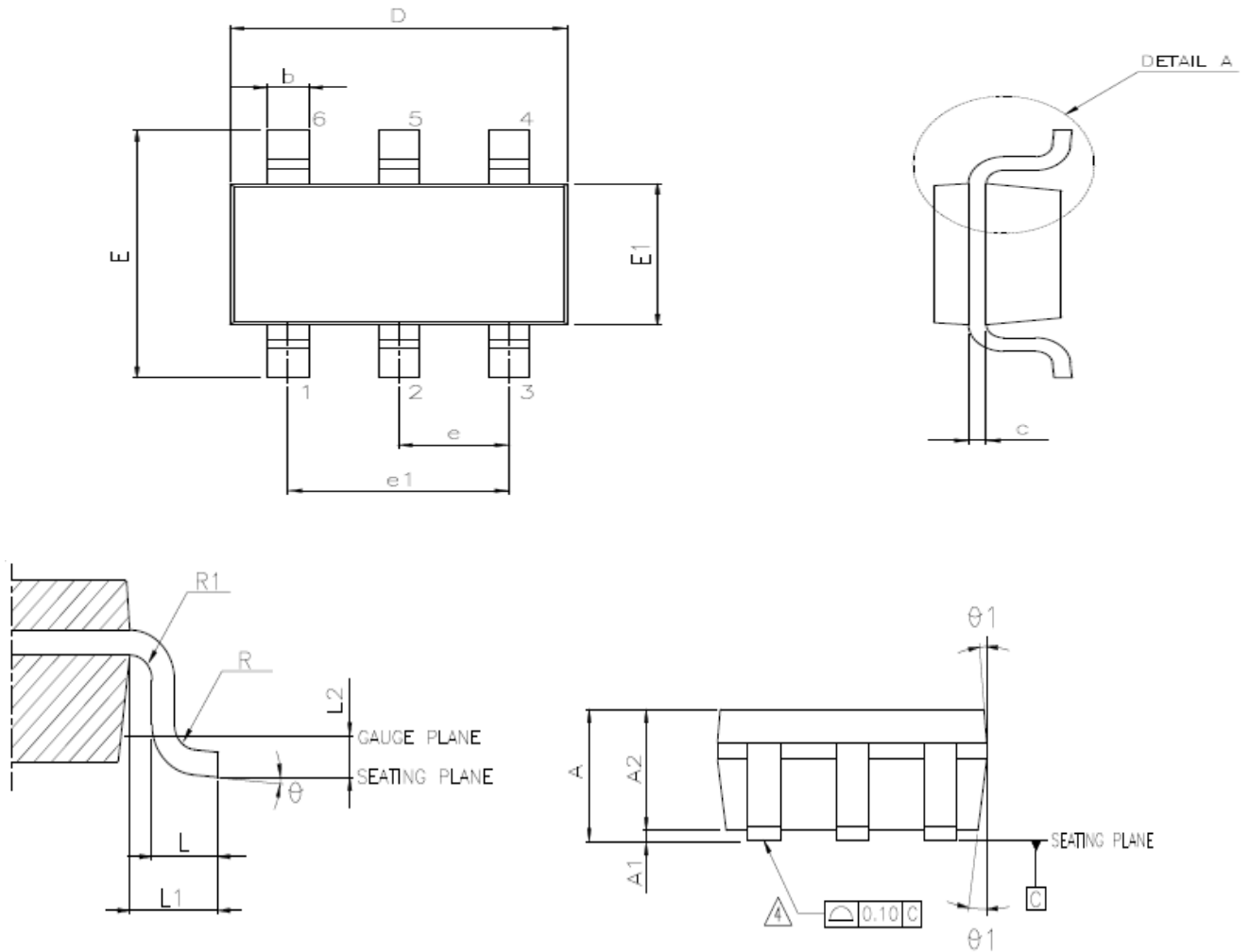


SYMBOLS	MILLIMETERS		
	MIN	TYP	MAX
A	-	-	1.45
A1	0.00	-	0.15
A2	0.90	1.15	1.30
b	0.30	-	0.50
c	0.08	-	0.22
D	2.90 REF		
E	2.80 REF		
E1	1.60 REF		
e	0.95 REF		
e1	1.90 REF		
L	0.30	0.45	0.60
L1	0.60 REF		
L2	0.25 BSC		
R	0.10	-	-
R1	0.10	-	0.25
$\theta$	0	4	8
$\theta1$	5	10	15

# Package Information

## 2.8. SOT23-6

<b>Lead of SOT23-6</b>	<b>Pitch=0.95mm Body width=1.6 mm</b>
------------------------	---

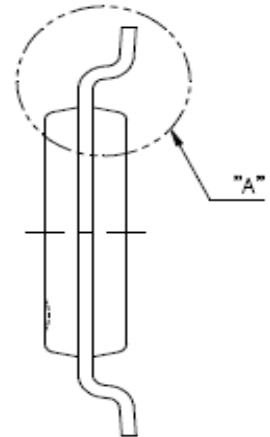
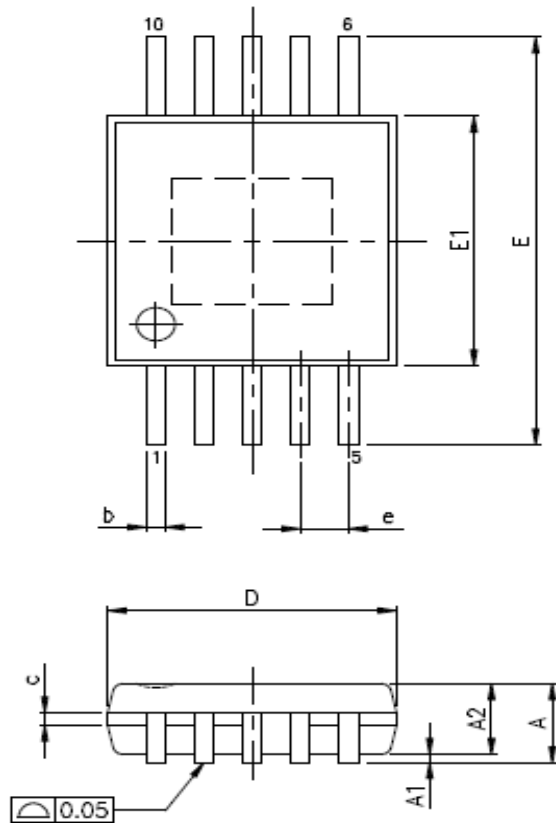


SYMBOLS	MILLIMETERS		
	MIN	TYP	MAX
A	-	-	1.45
A1	0.00	-	0.15
A2	0.90	1.15	1.30
b	0.30	-	0.50
c	0.08	-	0.22
D	2.90 REF		
E	2.80 REF		
E1	1.60 REF		
e	0.95 REF		
e1	1.90 REF		
L	0.30	0.45	0.60
L1	0.60 REF		
L2	0.25 BSC		
R	0.10	-	-
R1	0.10	-	0.25
$\theta$	0	4	8
$\theta 1$	5	10	15

# Package Information

## 2.9. MSOP10(118mil)

<b>Lead of MSOP10</b>	<b>Pitch=0.5mm Body width=3 mm=118 mil</b>
-----------------------	--

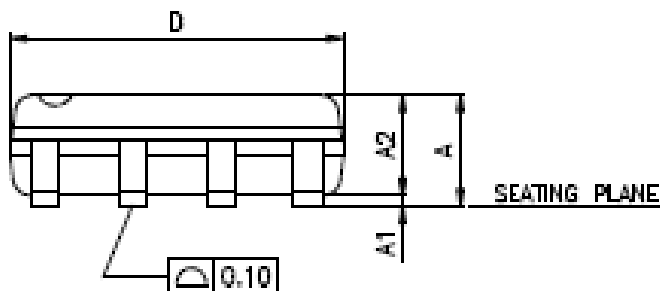
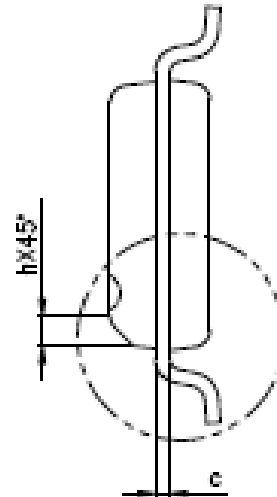
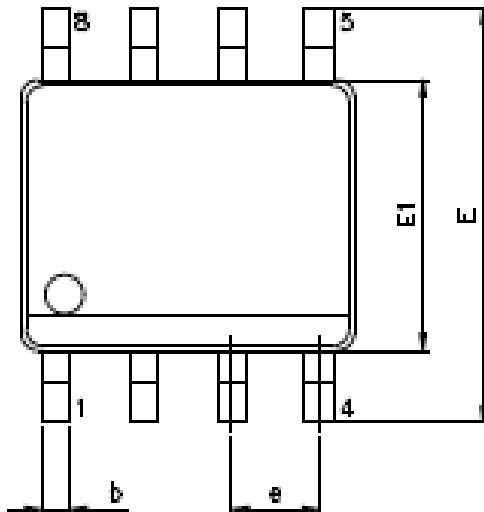


SYMBOLS	MILLIMETERS		
	MIN	TYP	MAX
A	-	-	1.10
A1	0.00	-	0.15
A2	0.75	0.85	0.95
b	0.17	-	0.27
c	0.08	-	0.23
D	3.00 BSC		
E	4.90 BSC		
E1	3.00 BSC		
e	0.50 BSC		
L	0.40	0.60	0.80
L1	0.95 REF		
$\theta^\circ$	0	-	8

# Package Information

## 2.10. SOP8(Pitch:1.27mm,Width:150mil)

<b>Lead of SOP8</b>	<b>Pitch=1.27 mm=0.05 inch</b> <b>Body width=3.9 mm=150 mil</b>
---------------------	--

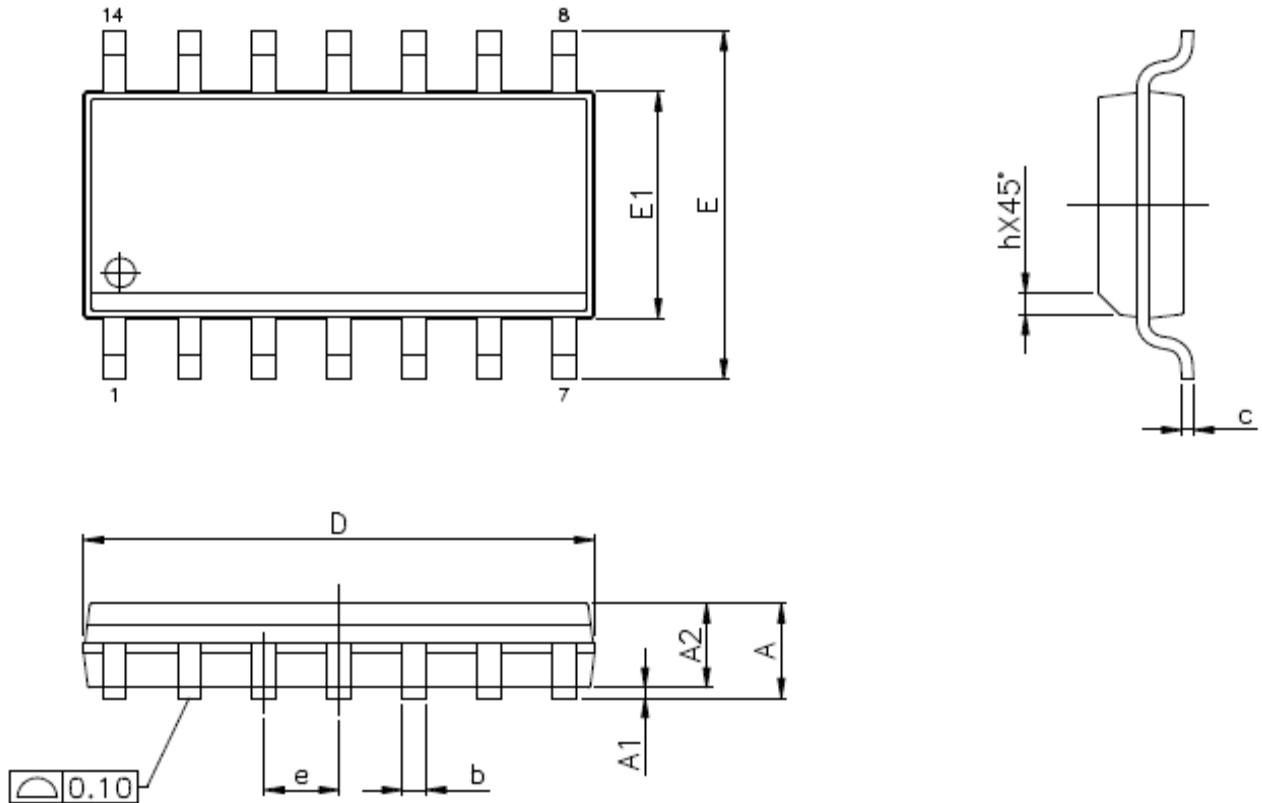


SYMBOLS	MILLIMETERS	
	MIN	MAX
A	-	1.75
A1	0.10	0.25
A2	1.25	-
b	0.31	0.51
c	0.10	0.25
D	4.90 BSC	
E	6.00 BSC	
E1	3.90 BSC	
e	1.27 BSC	
L	0.40	1.27
h	0.25	0.50
$\theta^\circ$	0	8

# Package Information

## 2.11. SOP14(Pitch:1.27mm,Width:150mil)

<b>Lead of SOP14</b>	<b>Pitch=1.27 mm=0.05 inch</b> <b>Body width=3.9 mm=150 mil=0.15 inch</b>
----------------------	--



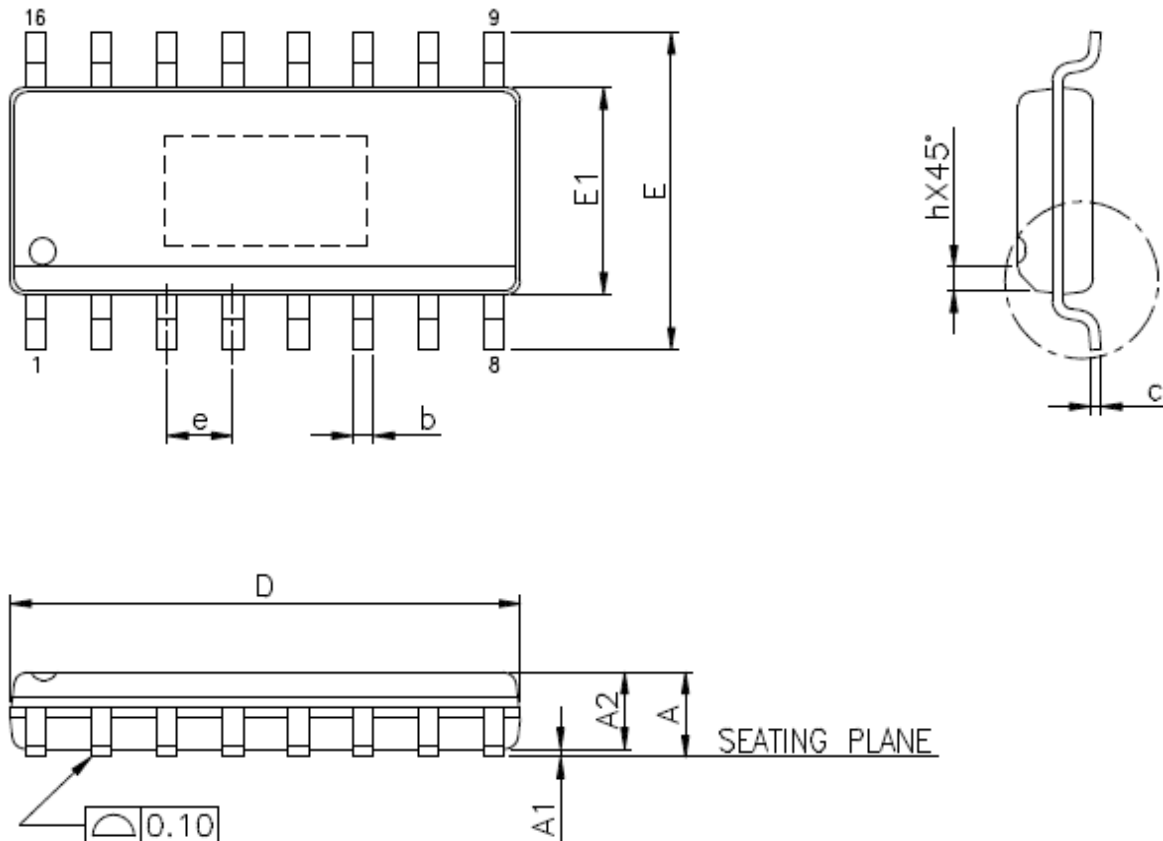
SYMBOLS	MILLIMETERS	
	MIN	MAX
A	-	1.75
A1	0.10	0.25
A2	1.25	-
b	0.31	0.51
c	0.10	0.25
D	8.65 BSC	
E	6.00 BSC	
E1	3.90 BSC	
e	1.27 BSC	
L	0.40	1.27
h	0.25	0.50
$\theta^\circ$	0	8



# Package Information

## 2.12. SOP16(Pitch:1.27mm,Width:150mil)

<b>Lead of SOP16</b>	<b>Pitch=1.27mm=0.05 inch Body width=150 mil</b>
----------------------	--

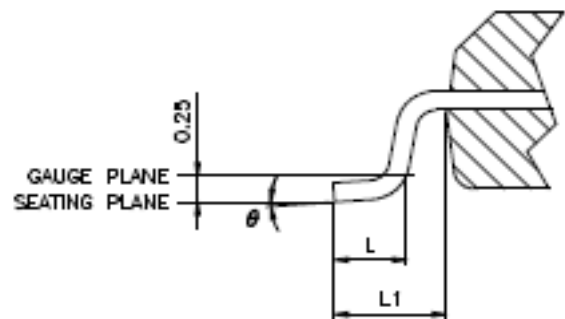
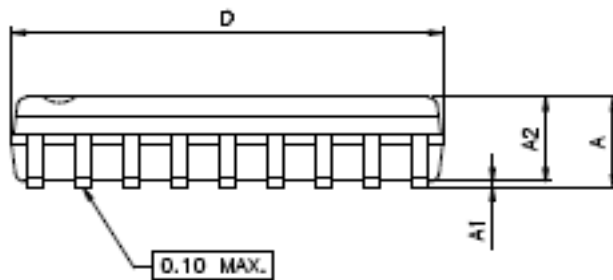
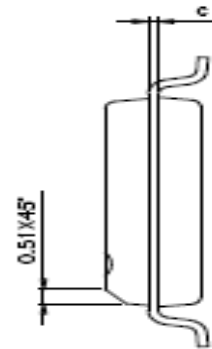
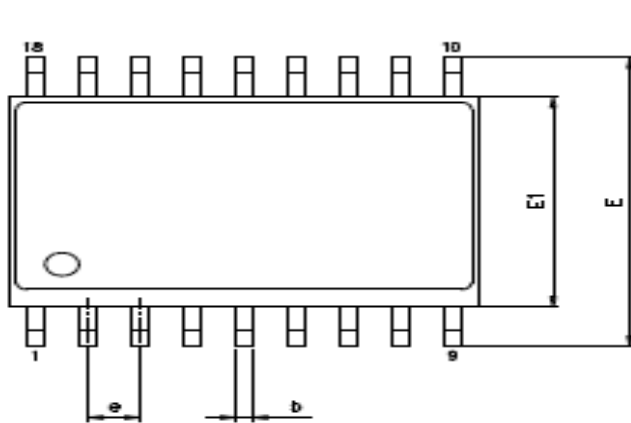


SYMBOLS	MILLIMETERS	
	MIN	MAX
A	-	1.75
A1	0.10	0.25
A2	1.25	-
b	0.31	0.51
c	0.10	0.25
D	9.90 BSC	
E	6.00 BSC	
E1	3.90 BSC	
e	1.27 BSC	
L	0.40	1.27
h	0.25	0.50
$\theta^\circ$	0	8

# Package Information

## 2.13. SOP18(Pitch:1.27mm ,Width:300mil)

<b>Lead of SOP18</b>	<b>Pitch=1.27 mm=0.05 inch Body width=300 mil</b>
----------------------	---

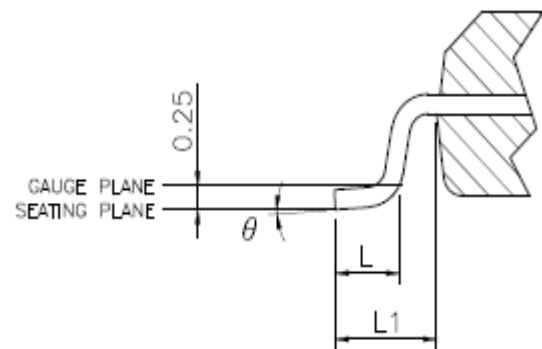
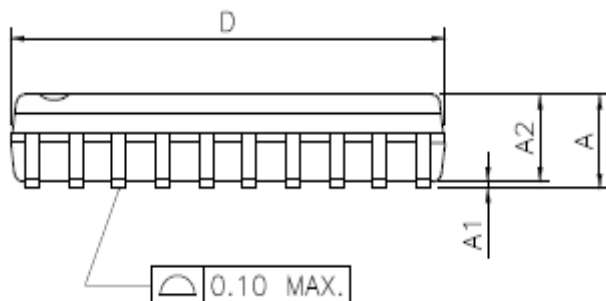
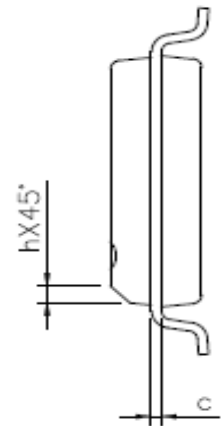
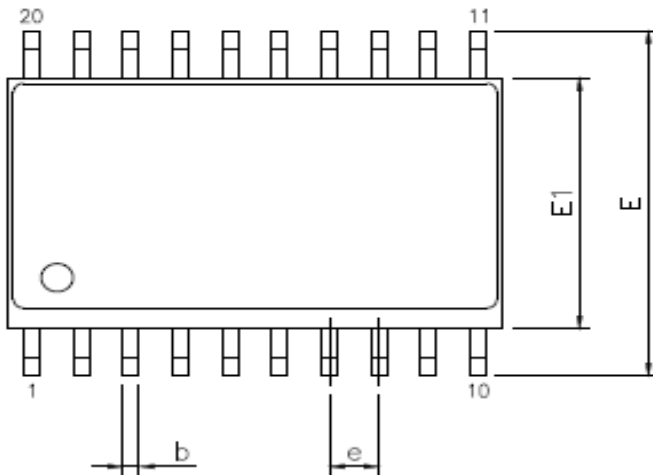


SYMBOLS	MILLIMETERS	
	MIN	MAX
A	-	2.65
A1	0.10	0.30
A2	2.05	-
b	0.31	0.51
c	0.20	0.33
D	11.55 BSC	
E1	7.50 BSC	
E	10.30 BSC	
e	1.27 BSC	
L1	1.40 REF	
L	0.40	1.27
$\theta^\circ$	0	8

# Package Information

## 2.14. SOP20(Pitch:1.27mm,Width:300mil)

<b>Lead of SOP20</b>	<b>Pitch=1.27 mm=0.05 inch Body width=300 mil</b>
----------------------	---

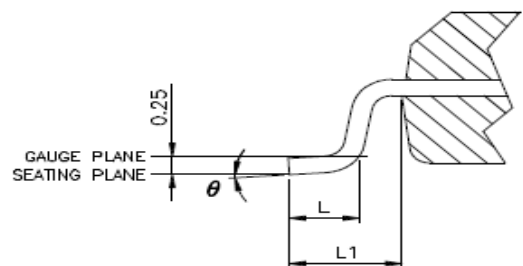
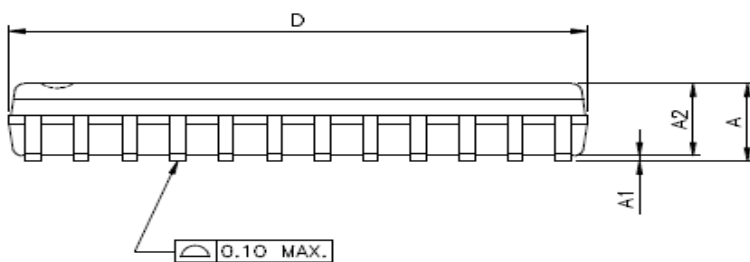
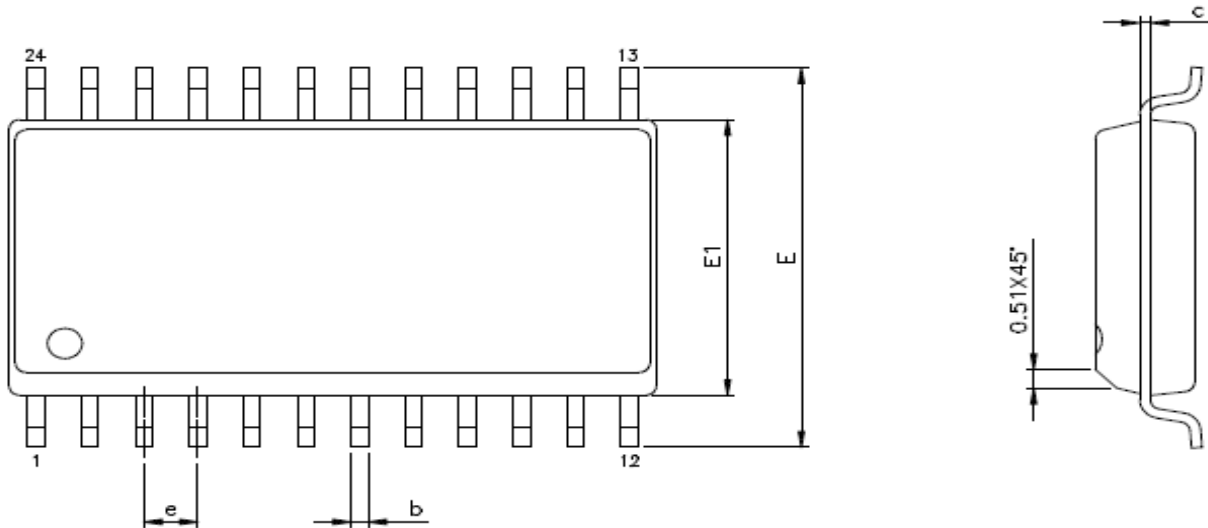


SYMBOLS	MILLIMETERS	
	MIN	MAX
A	-	2.65
A1	0.10	0.30
A2	2.05	
b	0.31	0.51
c	0.10	0.33
D	12.80 BSC	
E	10.30 BSC	
E1	7.50 BSC	
e	1.27 BSC	
L	0.40	1.27
L1	1.40 REF	
h	0.25	0.75
$\theta^\circ$	0	8

# Package Information

## 2.15. SOP24(Pitch:1.27mm,Width:300mil)

<b>Lead of SOP24</b>	<b>Pitch=1.27 mm= 0.05 inch Body width=300 mil</b>
----------------------	--

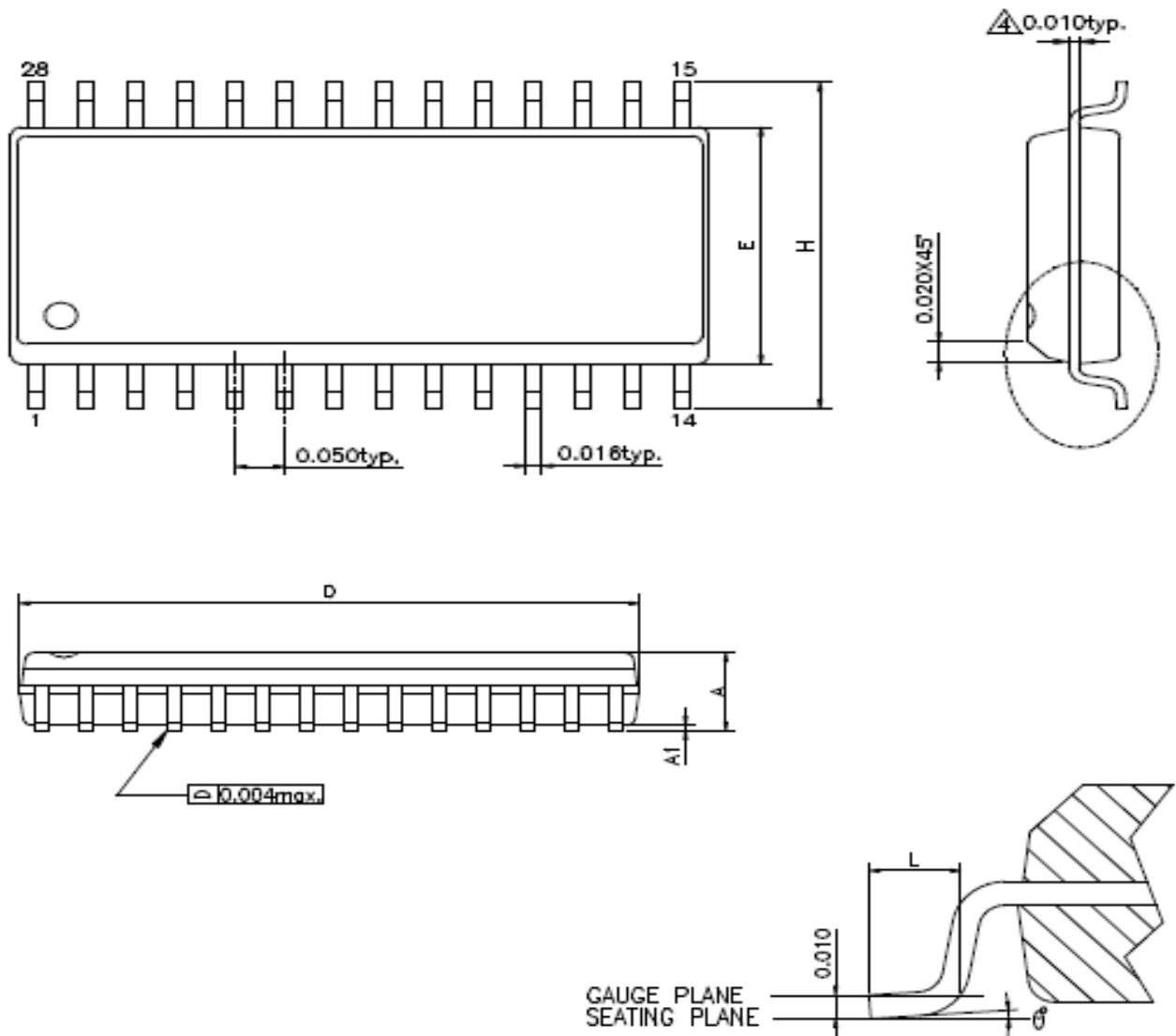


SYMBOLS	MILLIMETERS		
	MIN	TYP	MAX
A	-	-	2.65
A1	0.10	-	0.30
A2	2.05	-	-
b	0.31	-	0.51
c	0.20	-	0.33
D	15.24	-	15.70
E	7.50 BSC		
E1	10.30 BSC		
e	1.27 BSC		
L1	1.40 BSC		
L	0.40	-	1.27
$\theta^\circ$	0	-	8

# Package Information

## 2.16. SOP28(Pitch:1.27mm,Width:300mil)

<b>Lead of SOP28</b>	<b>Pitch=1.27 mm =0.05 inch Body width=300 mil</b>
----------------------	--

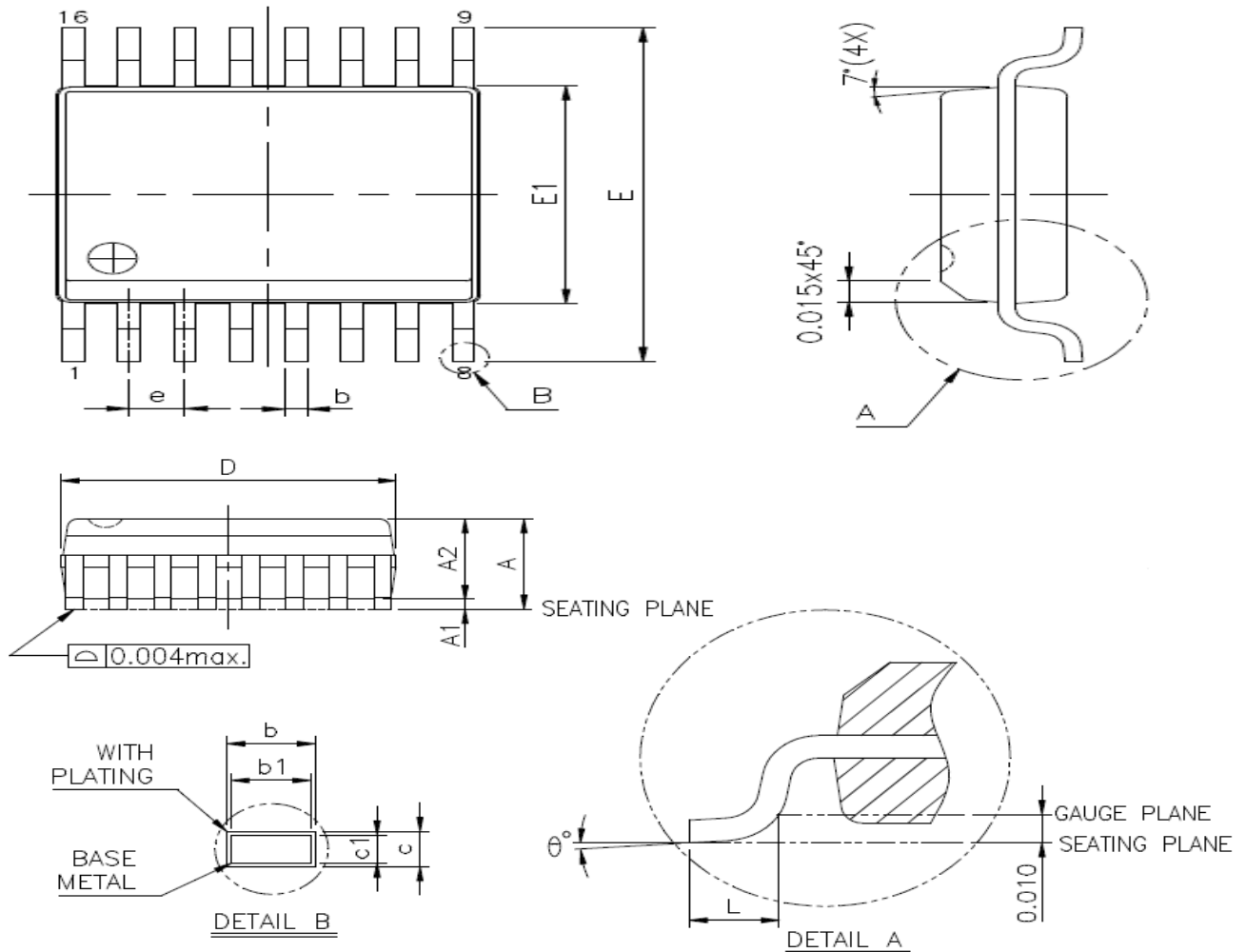


SYMBOLS	INCH		
	MIN	TYP	MAX
A	-	-	0.104
A1	0.004	-	-
D	0.697	0.718	0.724
E	0.291	0.295	0.299
H	0.394	0.406	0.419
L	0.016	0.035	0.050
$\theta^\circ$	0	4	8

# Package Information

## 2.17. SSOP16(Pitch:0.635mm,Width:150mil)

<b>Lead of SSOP16</b>	<b>Pitch=0.635mm=0.025 inch</b> <b>Body width=150 mil</b>
-----------------------	--

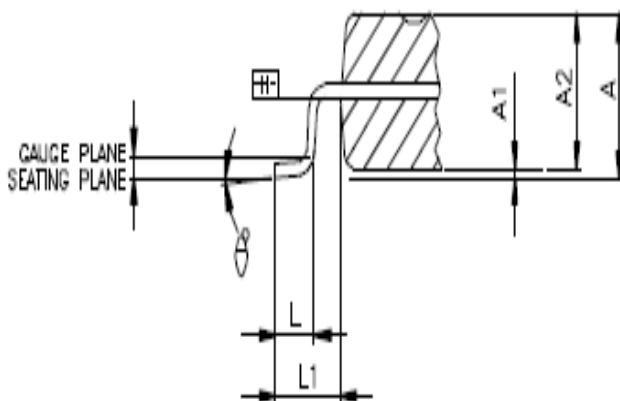
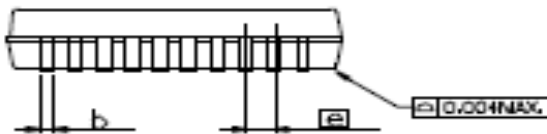
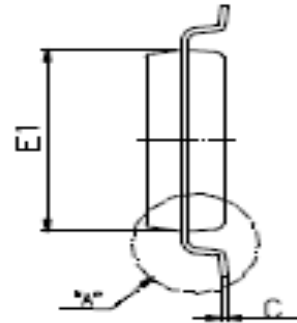
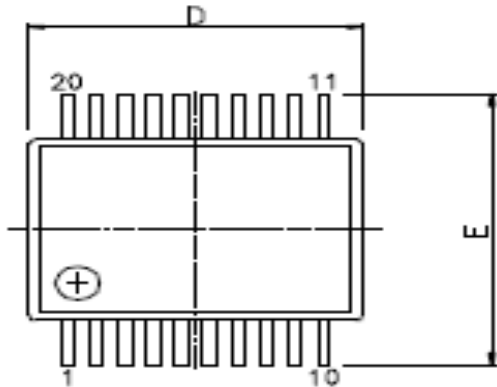


SYMBOLS	INCH		
	MIN	TYP	MAX
A	0.053	-	0.069
A1	0.004	-	0.010
A2	0.049	-	0.059
b	0.008	-	0.012
b1	0.008	0.010	0.011
c	0.007	-	0.010
c1	0.007	0.008	0.009
D	0.189	0.193	0.197
E1	0.150	0.154	0.157
E	0.228	0.236	0.244
L	0.016	0.025	0.050
e	0.025 BSC		
$\theta^\circ$	0	-	8

# Package Information

## 2.18. SSOP20(Pitch:0.635mm,Width:150mil)

<b>Lead of SSOP20</b>	<b>Pitch=0.635mm=0.025 inch Body width=150 mil</b>
-----------------------	--



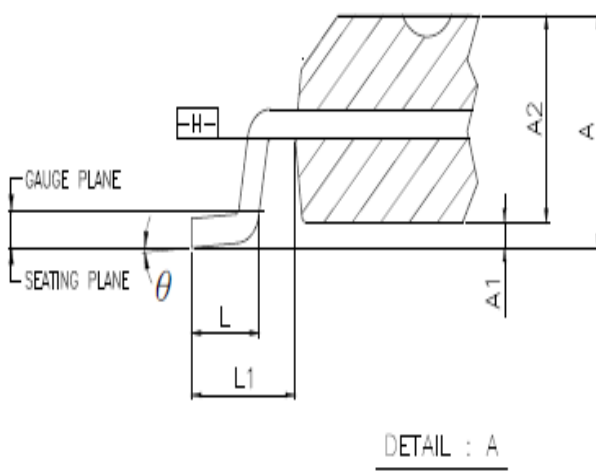
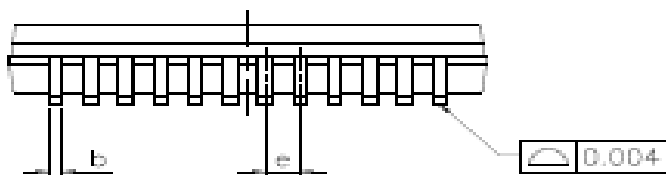
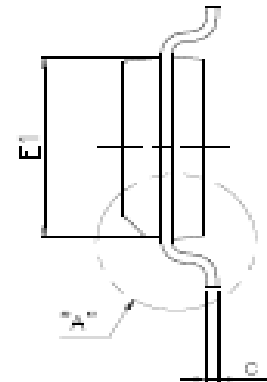
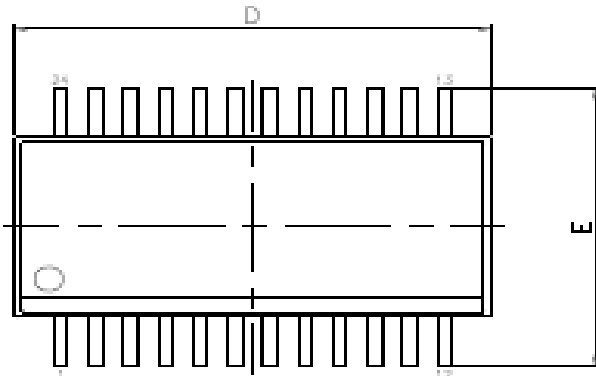
DETAIL : A

SYMBOLS	INCH		
	MIN	TYP	MAX
A	0.053	0.064	0.069
A1	0.004	0.006	0.010
A2	-	-	0.059
b	0.008	-	0.012
C	0.007	-	0.010
D	0.337	0.341	0.344
E	0.228	0.236	0.244
E1	0.150	0.154	0.157
e	0.025 BSC		
L	0.016	0.025	0.050
L1	0.041 BSC		
$\theta^\circ$	0	-	8

# Package Information

## 2.19. SSOP24(Pitch:0.635mm,Width:150mil)

<b>Lead of SSOP24</b>	<b>Pitch=0.635 mm=0.025 inch</b> <b>Body width=150 mil</b>
-----------------------	---



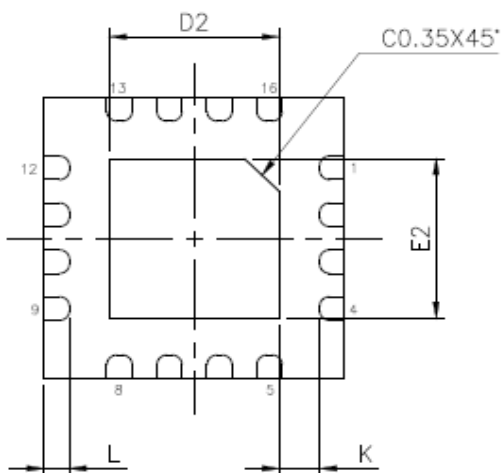
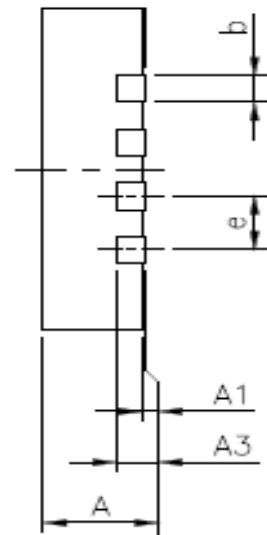
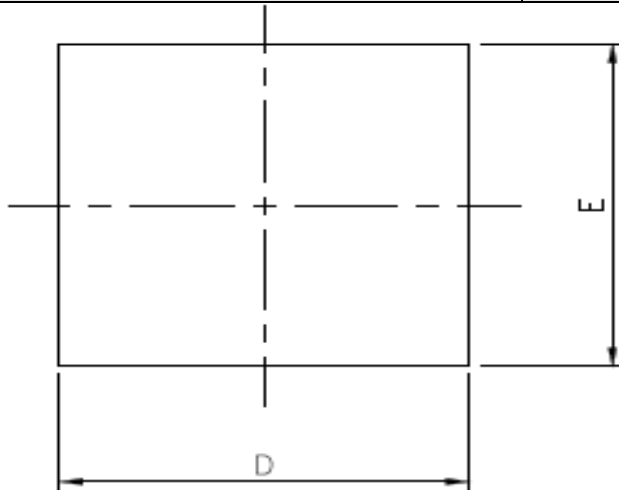
SYMBOLS	INCH		
	MIN	TYP	MAX
A	0.053	0.064	0.069
A1	0.004	0.006	0.010
A2	-	-	0.059
D	0.337	0.341	0.344
E	0.228	0.236	0.244
E1	0.150	0.154	0.157
b	0.008	-	0.012
c	0.007	-	0.010
e	0.025 BSC		
L	0.016	0.025	0.050
L1	0.041 BSC		
$\theta^\circ$	0	-	8



# Package Information

## 2.20. QFN3\*3-16(Pitch:0.50mm,Width:3x3mm,Thickness:0.75mm)

<b>Lead of QFN3*3-16</b>	<b>Pitch=0.50mm</b> <b>Body width=3x3mm</b> <b>Body thickness=0.75mm</b>
--------------------------	--



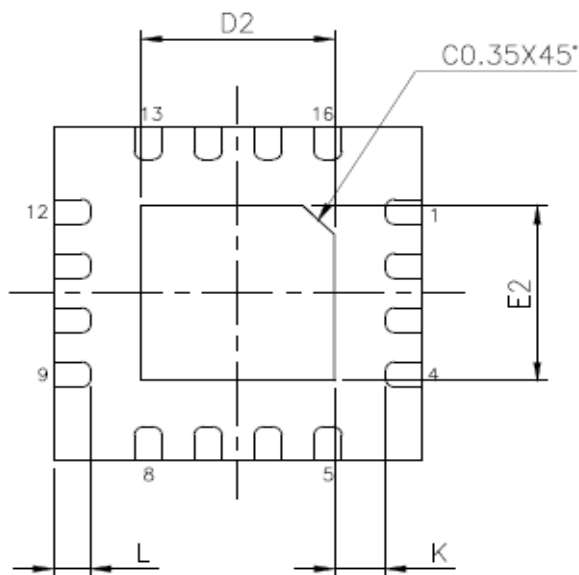
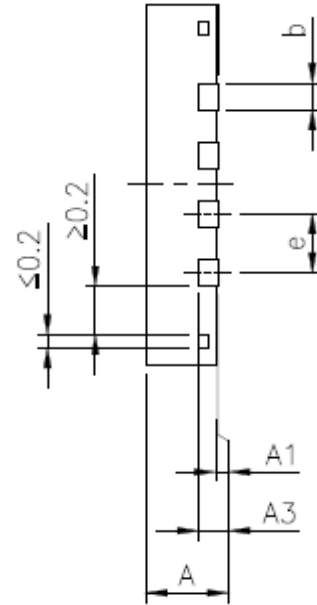
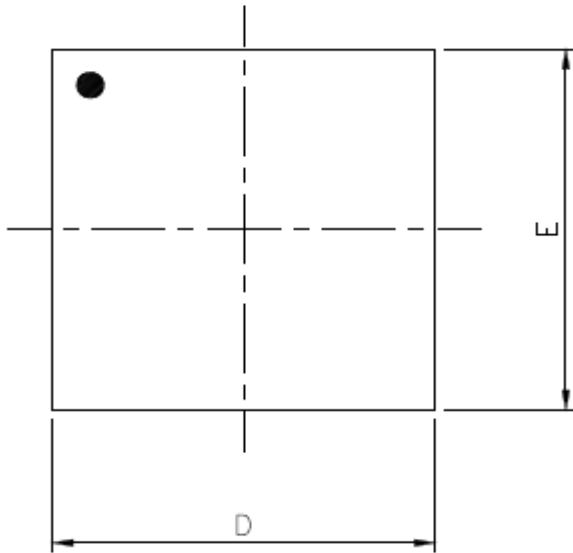
SYMBOLS	MILLIMETERS		
	MIN	TYP	MAX
A	0.70	0.75	0.80
A1	0.00	0.02	0.05
A3	0.203 REF		
b	0.18	0.25	0.30
D	3.00 BSC		
E	3.00 BSC		
e	0.50 BSC		
K	0.20	-	-
D2	1.65	1.70	1.75
E2	1.65	1.70	1.75
L	0.35	0.40	0.45

PKG CODE: WQFN

# Package Information

## 2.21. QFN4\*4-16(Pitch:0.65mm,Width:4x4mm,Thickness:0.75mm)

<b>Lead of QFN4*4-16</b>	<b>Pitch=0.65mm</b> <b>Body width=4x4mm</b> <b>Body thickness=0.75mm</b>
--------------------------	--



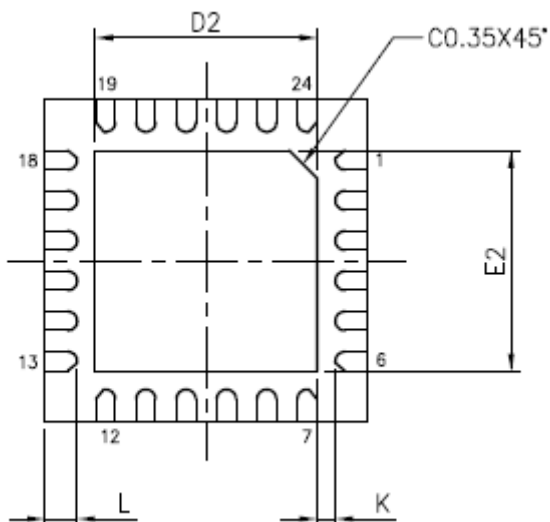
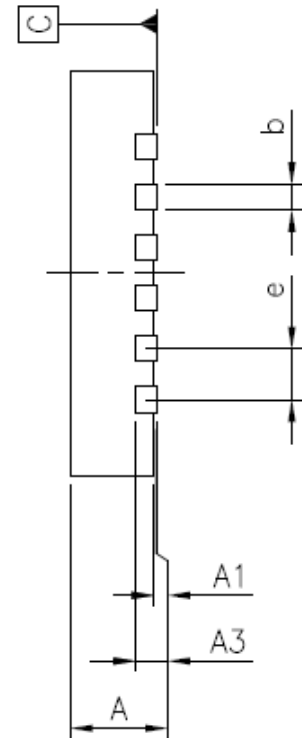
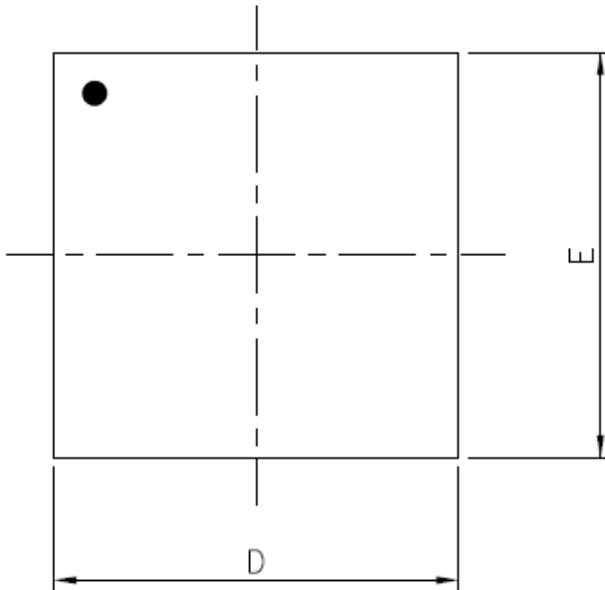
SYMBOLS	MILLIMETERS		
	MIN	TYP	MAX
A	0.70	0.75	0.80
A1	0.00	0.02	0.05
A3	0.203 REF		
b	0.25	0.30	0.35
D	4.00 BSC		
E	4.00 BSC		
e	0.65 BSC		
K	0.20	-	-
D2	2.05	2.10	2.15
E2	2.05	2.10	2.15
L	0.35	0.40	0.45

PKG CODE: WQFN

# Package Information

## 2.22. QFN4\*4-24(Pitch:0.5mm,Width:4x4mm,Thickness:0.75mm)

<b>Lead of QFN4*4-24</b>	<b>Pitch=0.5mm</b> <b>Body width=4x4mm</b> <b>Body thickness=0.75mm</b>
--------------------------	---



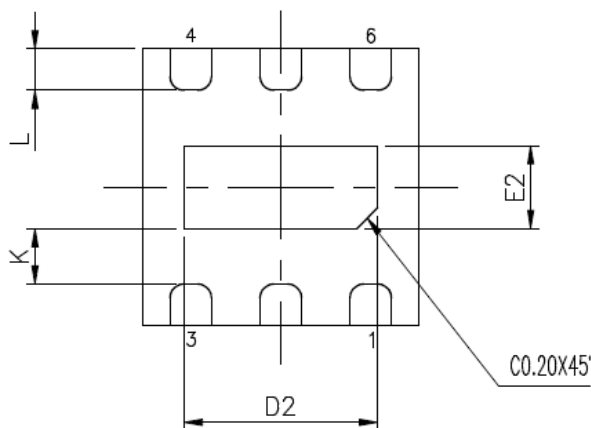
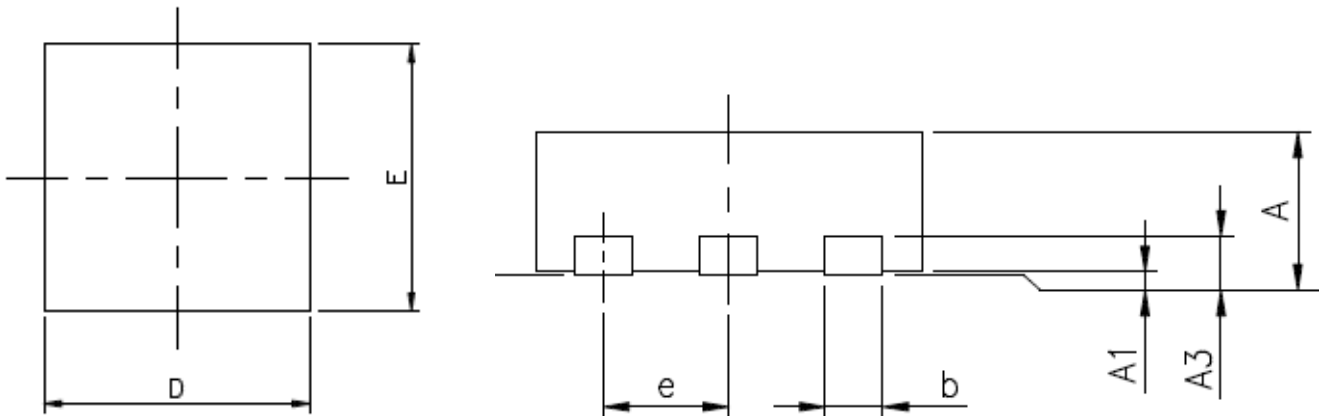
SYMBOLS	MILLIMETERS		
	MIN	TYP	MAX
A	0.70	0.75	0.80
A1	0.00	0.02	0.05
A3	0.203 REF		
b	0.20	0.25	0.30
D	4.00 BSC		
E	4.00 BSC		
e	0.50 BSC		
K	0.20	-	-
D2	2.65	2.70	2.75
E2	2.65	2.70	2.75
L	0.35	0.40	0.45

PKG CODE: WQFN

# Package Information

## 2.23. DFN2\*2-6(Pitch:0.65mm,Width:2x2mm,Thickness:0.75mm)

<b>Lead of DFN2*2-6</b>	<b>Pitch=0.65mm</b> <b>Body width=2x2mm</b> <b>Body thickness=0.75mm</b>
-------------------------	--



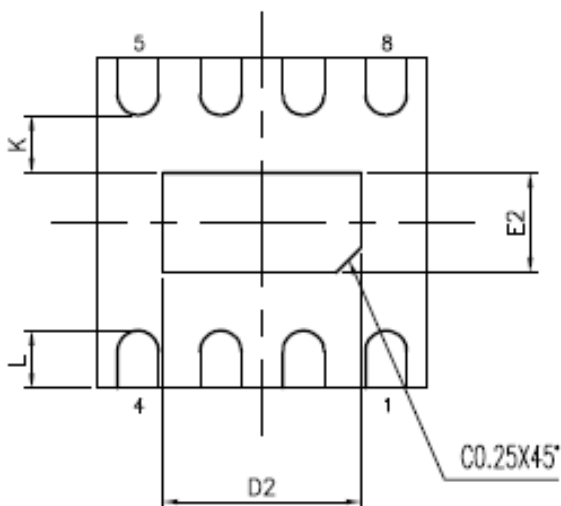
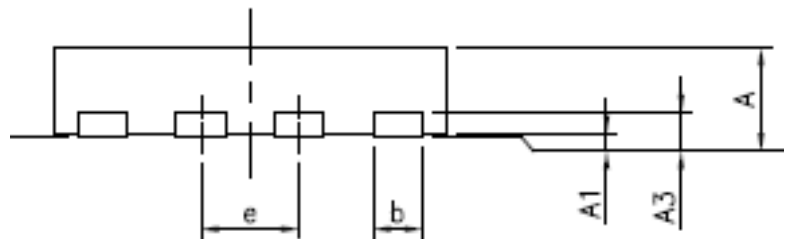
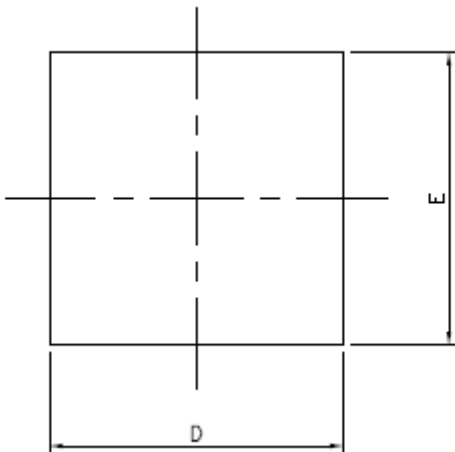
SYMBOLS	MILLIMETERS		
	MIN	TYP	MAX
A	0.70	0.75	0.80
A1	0.00	0.02	0.05
A3	0.20 REF		
b	0.25	0.30	0.35
D	2.00 BSC		
E	2.00 BSC		
e	0.65 BSC		
K	0.20	-	-
E2	0.55	0.60	0.65
D2	1.35	1.40	1.45
L	0.25	0.30	0.35

PKG CODE: WDFN

# Package Information

## 2.24. DFN2\*2-8(Pitch:0.50mm, Width:2x2mm,Thickness:0.75mm)

<b>Lead of DFN2*2-8</b>	<b>Pitch=0.50mm</b> <b>Body width=2x2mm</b> <b>Body thickness=0.75mm</b>
-------------------------	--



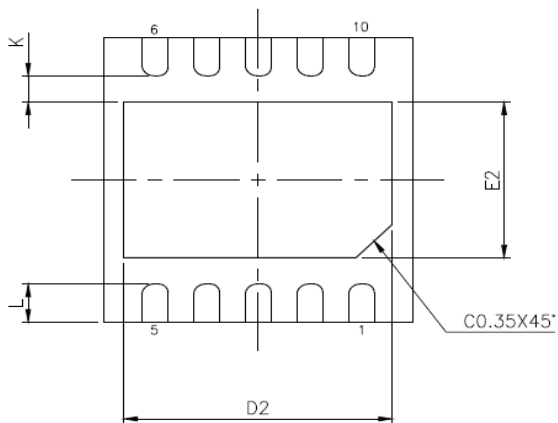
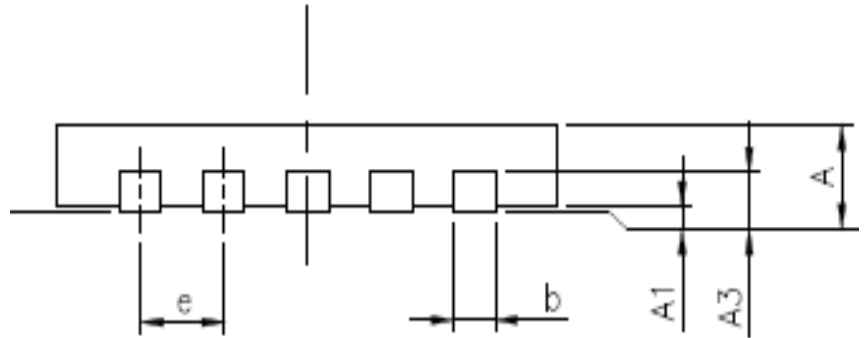
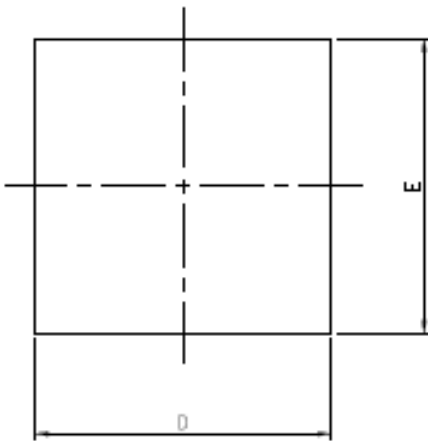
WDFN SYMBOLS	MILLIMETERS		
	MIN	TYP	MAX
A	0.70	0.75	0.80
A1	0.00	0.02	0.05
A3	0.203 REF		
b	0.20	0.25	0.30
D	2.00 BSC		
E	2.00 BSC		
e	0.50 BSC		
K	0.20	-	-
D2	1.15	1.20	1.25
E2	0.60	0.65	0.70
L	0.30	0.35	0.40

PKG CODE: WDFN

# Package Information

## 2.25. DFN3\*3-10(Pitch:0.50mm, Width:3x3mm,Thickness:0.75mm)

<b>Lead of DFN3*3-10</b>	<b>Pitch=0.50mm</b> <b>Body width=3x3mm</b> <b>Body thickness=0.75mm</b>
--------------------------	--



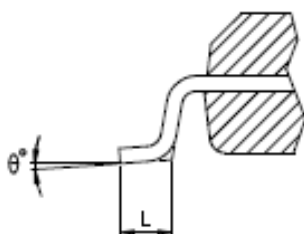
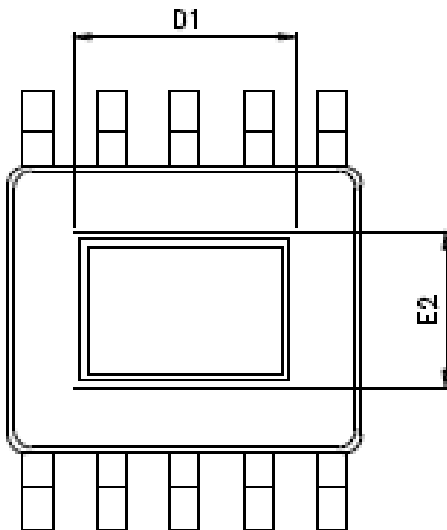
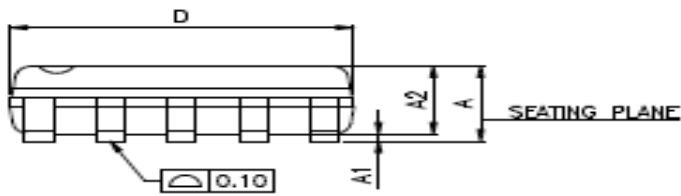
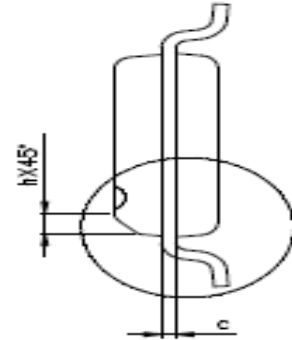
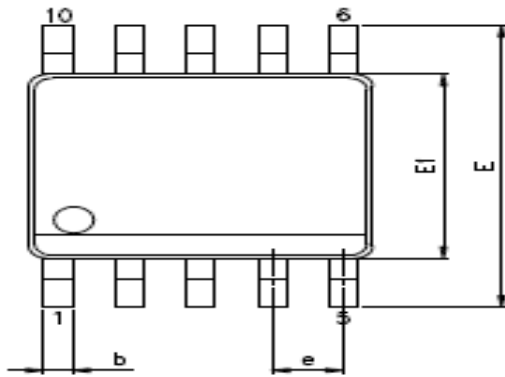
SYMBOLS	MILLIMETERS		
	MIN	TYP	MAX
A	0.70	0.75	0.80
A1	0.00	0.02	0.05
A3	0.203 REF		
b	0.18	0.25	0.30
D	3.00 BSC		
E	3.00 BSC		
e	0.50 BSC		
K	0.20	-	-
D2	2.20	2.30	2.35
E2	1.55	1.65	1.70
L	0.30	0.40	0.50

PKG CODE: WDFN

# Package Information

## 2.26. ESSOP10(Pitch:1mm,Width:150mil)

<b>Lead of ESSOP10</b>	<b>Pitch=1mm Body Width=150 mil=3.9 mm</b>
------------------------	--

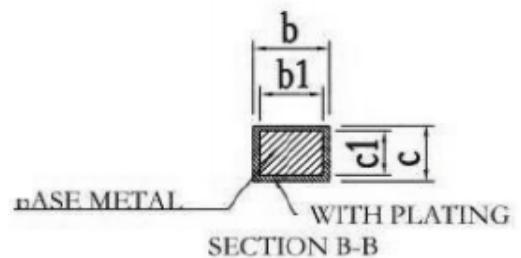
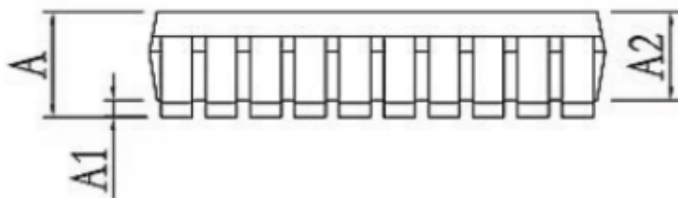
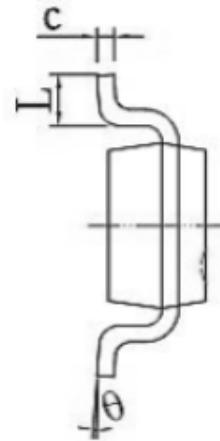
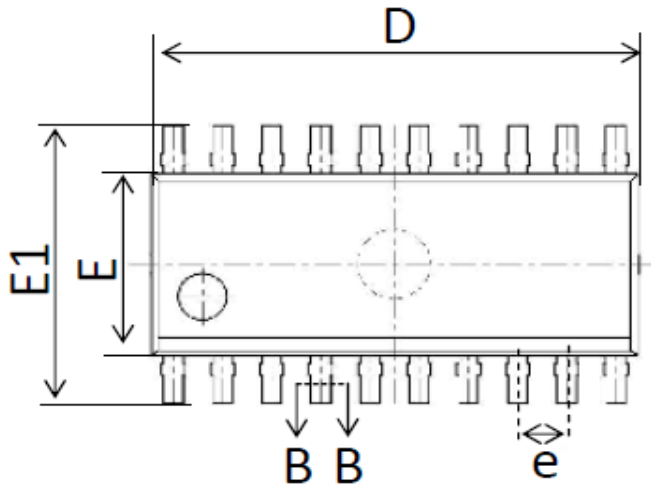


SYMBOLS	MILLIMETERS		
	MIN	TYP	MAX
A	1.50	1.60	1.70
A1	0.04	-	0.12
A2	1.35	1.45	1.55
A3	0.65	0.70	0.75
b	0.30	-	0.50
c	0.19	-	0.25
D	4.80	4.90	5.00
D1	3.20	3.30	3.40
E	5.90	6.00	6.10
E1	3.84	3.94	4.04
E2	2.00	2.10	2.20
e	1.00		
h	0.25	-	0.50
L	0.52	-	0.72
$\theta^\circ$	0	-	8

# Package Information

## 2.27. HTSOP20(Pitch:1mm,Width:150mil)

<b>Lead of HTSOP20</b>	<b>Pitch=1mm Body Width=150 mil =3.9 mm</b>
------------------------	---



SYMBOLS	MILLIMETERS	
	MIN	MAX
A	1.35	1.75
A1	0.10	0.25
A2	1.35	1.55
b	0.33	0.51
b1	0.32	0.50
c	0.17	0.25
c1	0.16	0.24
D	9.80	10.20
E	3.80	4.00
E1	5.80	6.20
e	1.0 BSC	
L	0.40	0.80
$\theta$ °	0	8